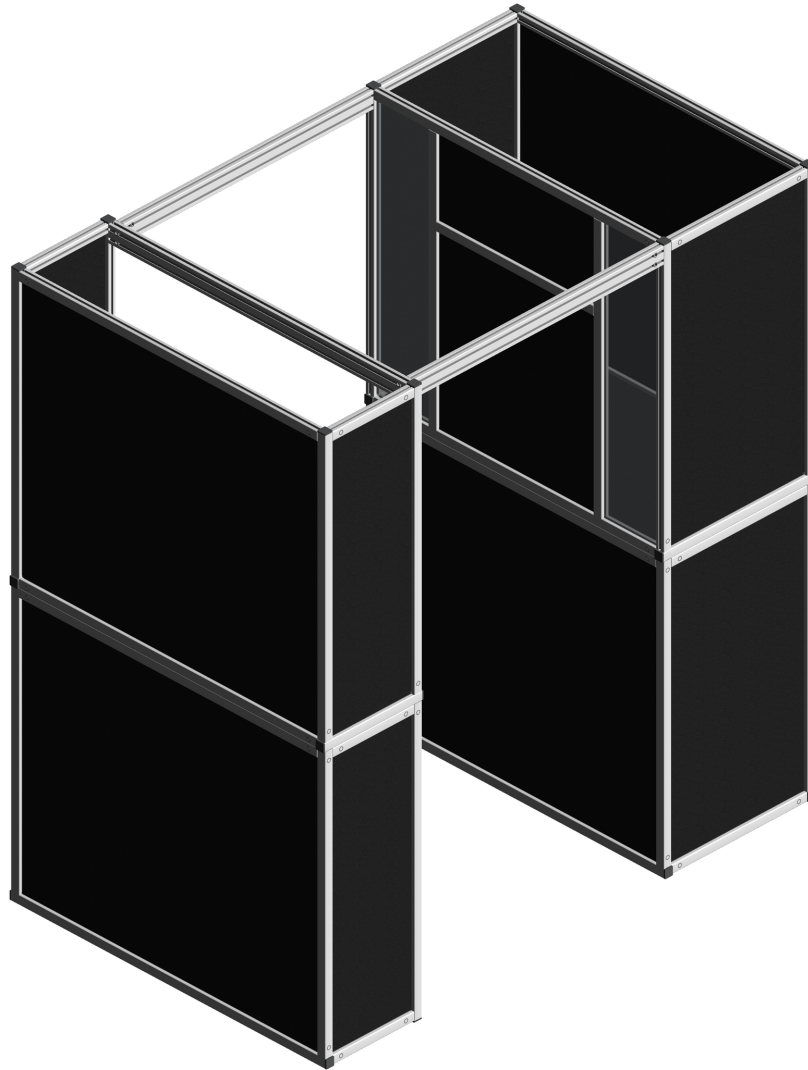


Design Title : Photo booth M19-SP, enhanced appeal, modularity  
Designer : FrameXpert FrameXpert  
Company : FrameXpert  
Address : 555 Legget Drive Tower A Suite 101, Ottawa, Ontario, Canada, K2K 2X3  
E-Mail : support@framexpert.com  
Phone : 1 (888) 520-7589  
Date : 10/27/2011



## Bill of materials

Pos	Article-No	Description	Units	Qty	Each \$	Price \$
1	1.11.030030.13LP-AA3AA3/965.2	Profile 30x30, 1F, light, plain	MM	1	17.90	17.90
2	1.11.030030.22LP-AA2AA2/965.2	Profile 30x30, 2F, corner, light, plain	MM	2	17.90	35.80
3	1.11.030030.22LP-AA1A00/965.2	Profile 30x30, 2F, corner, light, plain	MM	2	15.90	31.80
4	1.11.030030.22LP-AA2A00/965.2	Profile 30x30, 2F, corner, light, plain	MM	2	15.90	31.80
5	1.11.030030.22LP-AA1AA1/965.2	Profile 30x30, 2F, corner, light, plain	MM	3	17.90	53.69
6	1.11.030030.33LP-A00AA4/508	Profile 30x30, 3F, light, plain	MM	1	10.26	10.26
7	1.11.030030.33LP-AA4AA2/588.4	Profile 30x30, 3F, light, plain	MM	1	13.25	13.25
8	1.11.030030.33LP-AA4AA1/1057.6	Profile 30x30, 3F, light, plain	MM	1	19.04	19.04
9	1.11.030030.33LP-A00A00/1177.6	Profile 30x30, 3F, light, plain	MM	1	16.52	16.52
10	1.11.030030.33LP-A00A00/364.8	Profile 30x30, 3F, light, plain	MM	2	6.50	12.99
11	1.11.030030.33LP-A00A00/568	Profile 30x30, 3F, light, plain	MM	2	9.00	18.00
12	1.11.030030.33LP-AA2AA2/935.2	Profile 30x30, 3F, light, plain	MM	2	17.53	35.06
13	1.11.030030.33LP-A00AA4/995.2	Profile 30x30, 3F, light, plain	MM	2	16.27	32.54
14	1.11.030030.33LP-A00A00/1117.6	Profile 30x30, 3F, light, plain	MM	2	15.78	31.55
15	1.11.030030.33LP-AA4AA4/1117.6	Profile 30x30, 3F, light, plain	MM	3	19.78	59.33
16	1.11.030030.33LP-AA4A00/965.2	Profile 30x30, 3F, light, plain	MM	4	15.90	63.59
17	1.11.030030.33LP-AA4AA4/508	Profile 30x30, 3F, light, plain	MM	5	12.26	61.31
18	1.11.030030.33LP-AA4AA4/1057.6	Profile 30x30, 3F, light, plain	MM	5	19.04	95.19
19	1.11.030030.33LP-AA4AA4/304.8	Profile 30x30, 3F, light, plain	MM	6	9.76	58.54
20	1.11.030060.64LP-FB4FB0/935.2	Profile 30x60, 6F, light, plain Position for cross bushing bore, right: DB;	MM	1	29.82	29.82
21	1.11.030060.64LP-FB2FB4/935.2	Profile 30x60, 6F, light, plain	MM	1	29.82	29.82
22	1.11.030060.64LP-FB2FB2/1117.6	Profile 30x60, 6F, light, plain	MM	1	33.50	33.50
23	2.87.1771.00	Polycarbonat 4.5 mm, SIZE: 8.50IN x 37.25IN ***PER DRAWING 1***	SM	1	36.88	36.88
24	2.87.1771.00	Polycarbonat 4.5 mm, SIZE: 8.48IN x 37.25IN ***PER DRAWING 2***	SM	1	36.88	36.88
25	2.ABS.0177.00	ABS Haircell textured 4.5mm, SIZE: 11.41IN x 23.60IN ***PER DRAWING 3***	SM	1	20.83	20.83
26	2.ABS.0177.00	ABS Haircell textured 4.5mm, SIZE: 23.60IN x 25.09IN ***PER DRAWING 4***	SM	1	36.63	36.63
27	2.ABS.0177.00	ABS Haircell textured 4.5mm, SIZE: 20.43IN x 37.25IN ***PER DRAWING 5***	SM	1	47.16	47.16
28	2.ABS.0177.00	ABS Haircell textured 4.5mm, SIZE: 20.22IN x 37.25IN ***PER DRAWING 6***	SM	1	47.16	47.16
29	2.ABS.0177.00	ABS Haircell textured 4.5mm, SIZE: 37.25IN x 42.07IN ***PER DRAWING 7***	SM	1	84.04	84.04
30	2.ABS.0177.00	ABS Haircell textured 4.5mm, SIZE: 37.25IN x 44.43IN ***PER DRAWING 8***	SM	1	84.04	84.04
31	2.ABS.0177.00	ABS Haircell textured 4.5mm, SIZE: 37.25IN x 44.43IN ***PER DRAWING 9***	SM	1	84.04	84.04
32	2.ABS.0177.00	ABS Haircell textured 4.5mm, SIZE: 12.43IN x 37.25IN ***PER DRAWING 10***	SM	2	37.94	75.89

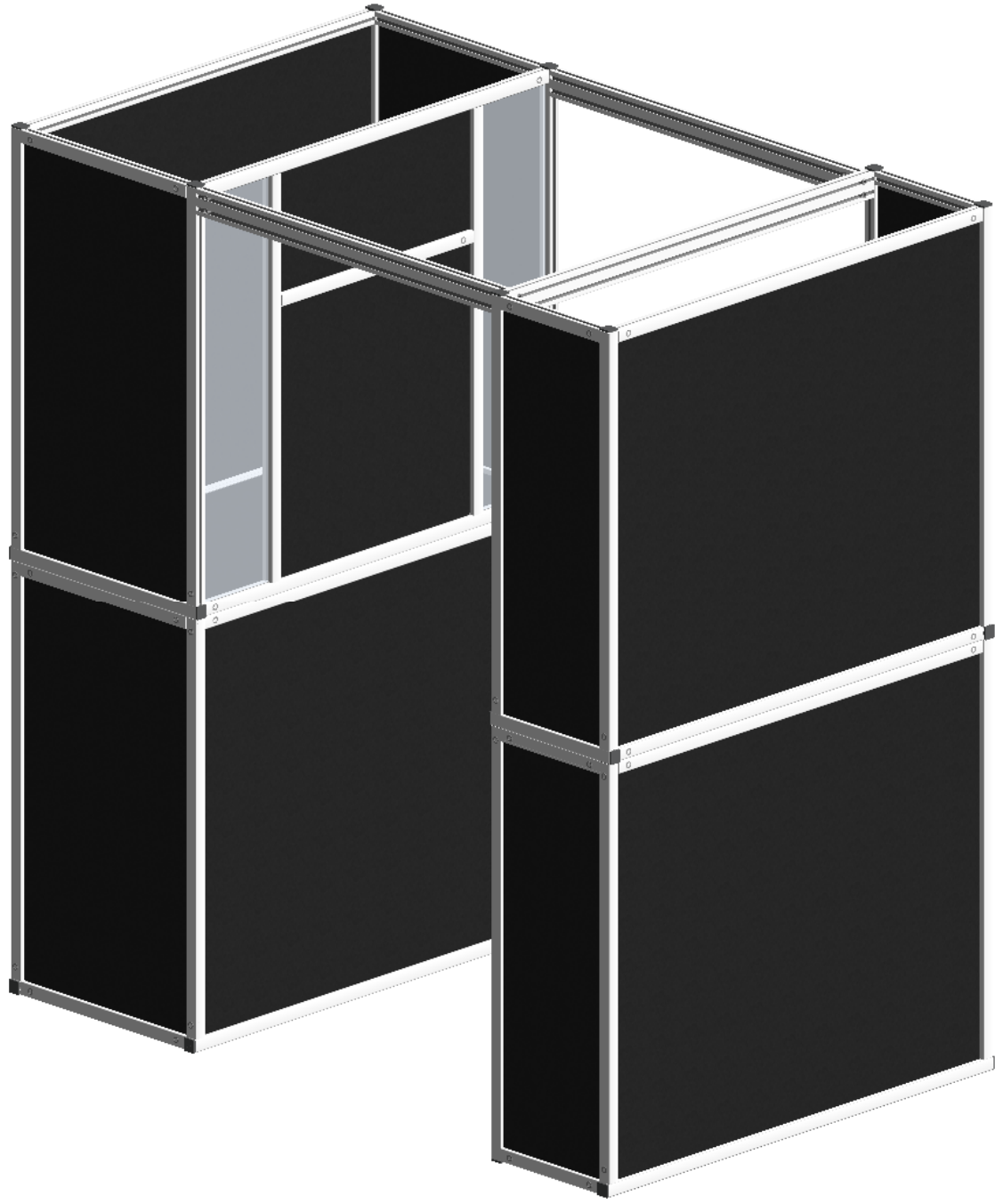
Design Title : Photo booth M19-SP, enhanced appeal, modularity  
 Customer Name : FrameXpert FrameXpert  
 Customer E-Mail : support@framexpert.com  
 Date : 10/27/2011

## Bill of materials

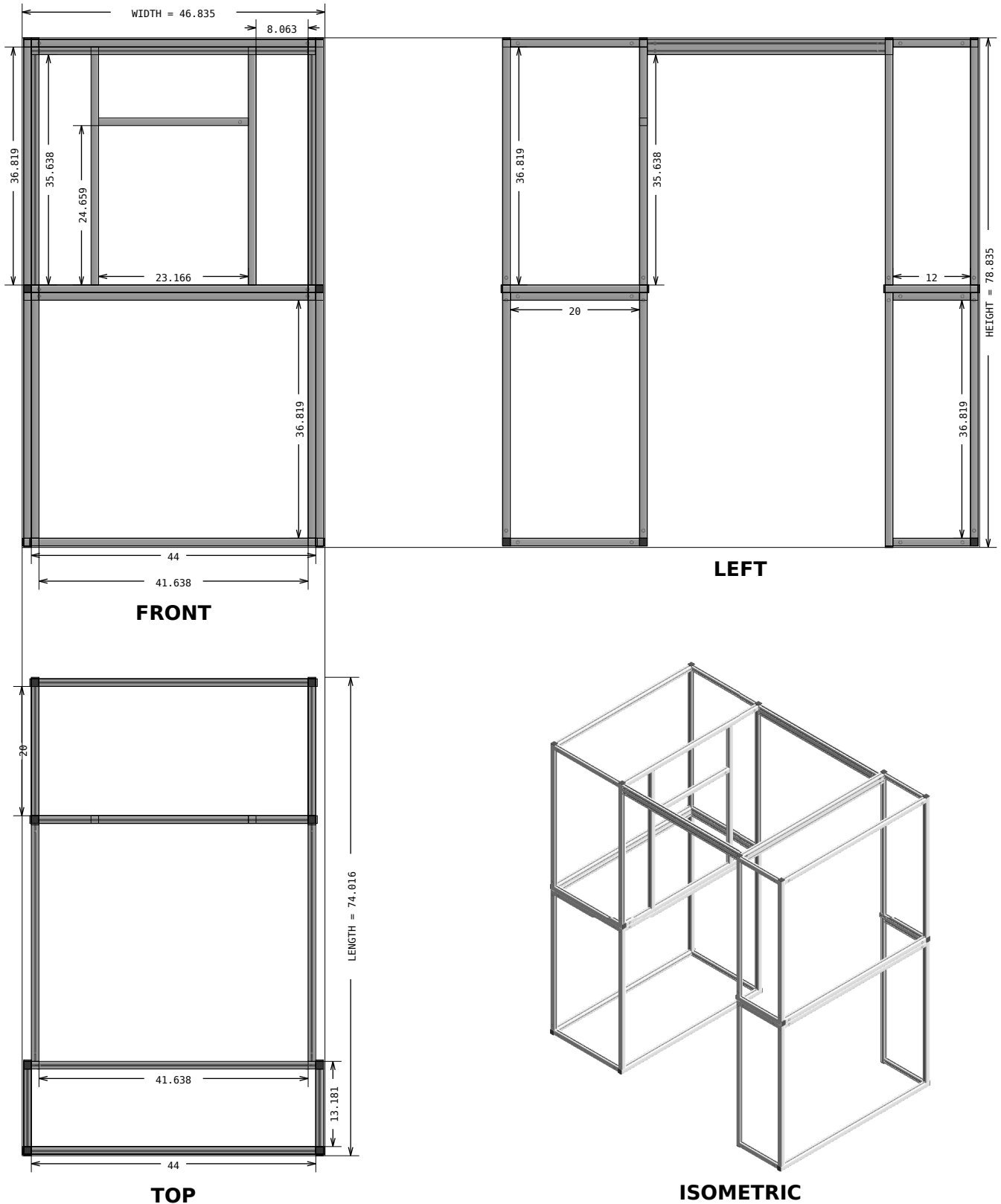
Pos	Article-No	Description	Units	Qty	Each \$	Price \$
33	2.ABS.0177.00	ABS Haircell textured 4.5mm, SIZE: 12.43IN x 37.25IN ***PER DRAWING 11***	SM	2	37.94	75.89
34	2.ABS.0177.00	ABS Haircell textured 4.5mm, SIZE: 20.43IN x 37.25IN ***PER DRAWING 12***	SM	2	47.16	94.33
35	2.ABS.0177.00	ABS Haircell textured 4.5mm, SIZE: 37.25IN x 42.07IN ***PER DRAWING 13***	SM	2	84.04	168.07
36	2.ABS.0236.00	ABS Haircell textured 6mm, SIZE: 20.43IN x 42.07IN ***PER DRAWING 14***	SM	1	65.70	65.70
37	1.42.20303.2	Cover cap 30x30, black	MM	24	0.96	22.93
38	1.21.3F0	Connector, universal	EA	81	2.86	231.34
39	1.41.5F0.1	Framing profile one-piece, F, grey (ring 60 m), L=3131MM	MM	1	7.13	7.13
40	1.41.5F0.1	Framing profile one-piece, F, grey (ring 60 m), L=4942MM	MM	1	112.61	112.61
41	Cut Panel<1219	Cut charge for panels with all sides smaller than 48" (<= 1219mm):	EA	18	10.29	185.22
Scrap charge						52.63

**Total Weight:** 90.32 kg (199.13 lbs)      **Total Amount:** \$ 2360.67

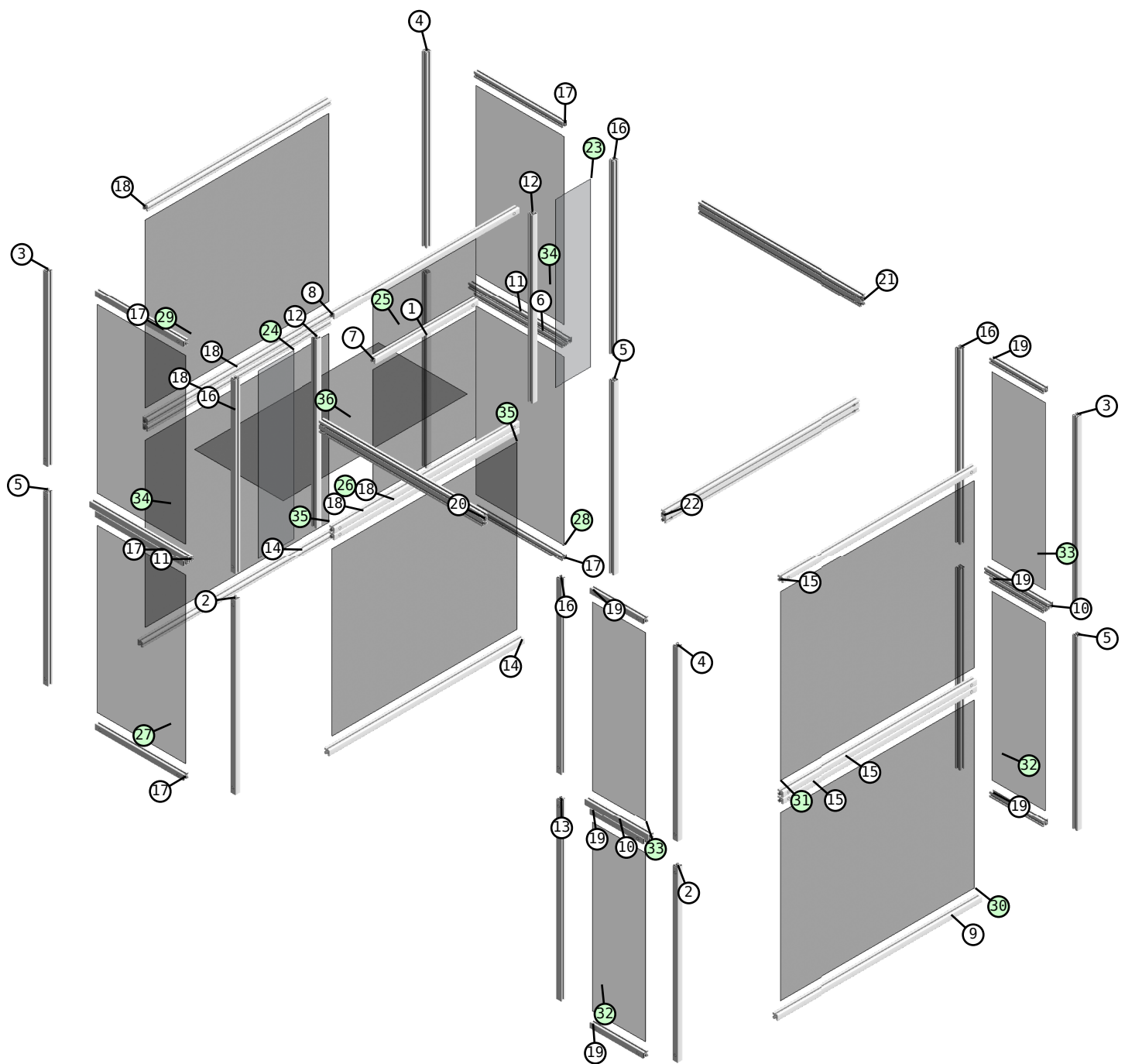
# Isometric view



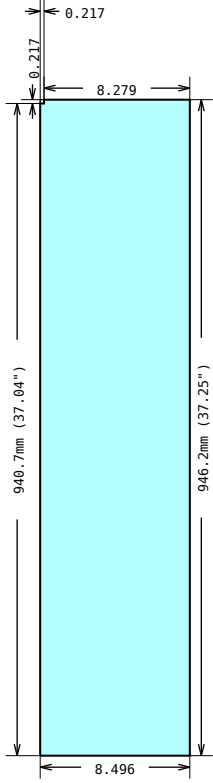
# Multiview



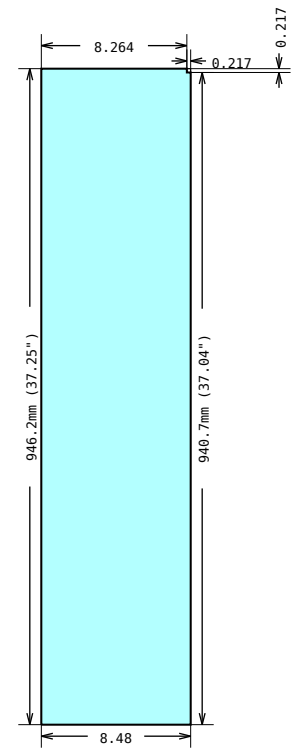
# Exploded view



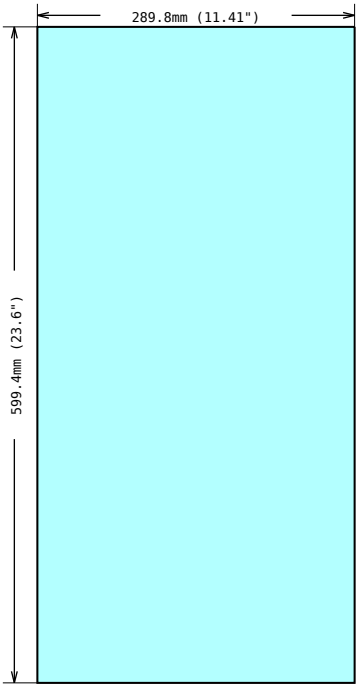
# Panels



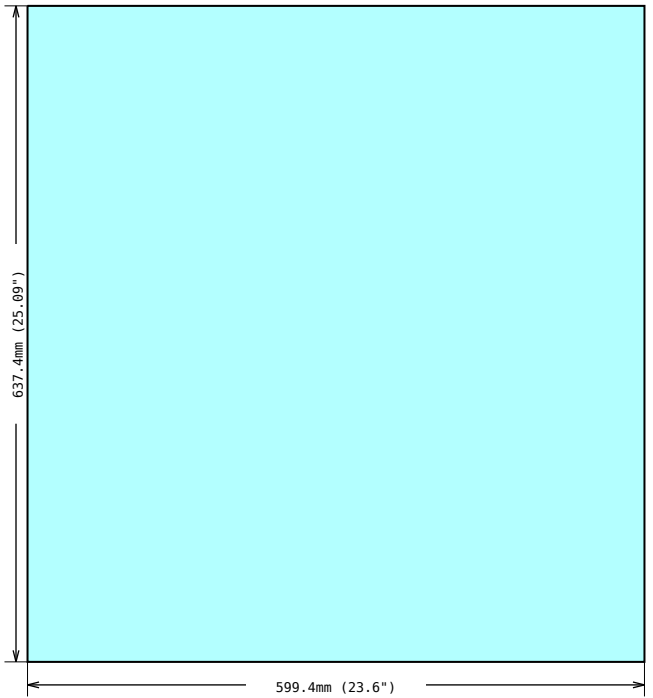
**DRAWING 1, Pos 23**  
Shape measurements



**DRAWING 2, Pos 24**  
Shape measurements

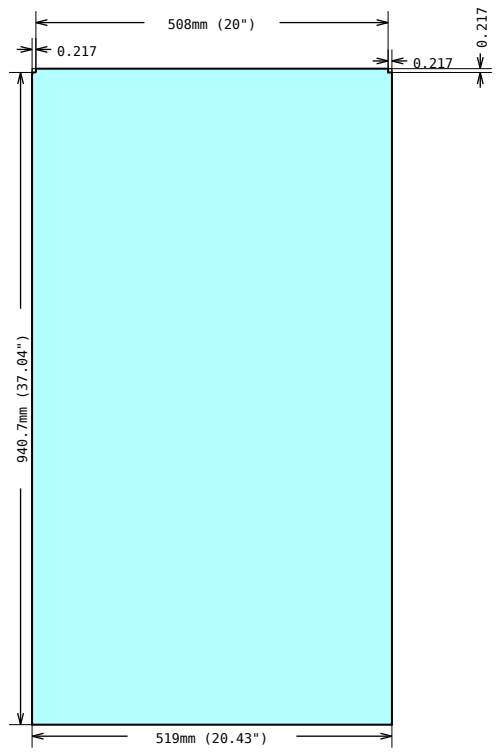


**DRAWING 3, Pos 25**  
Shape measurements

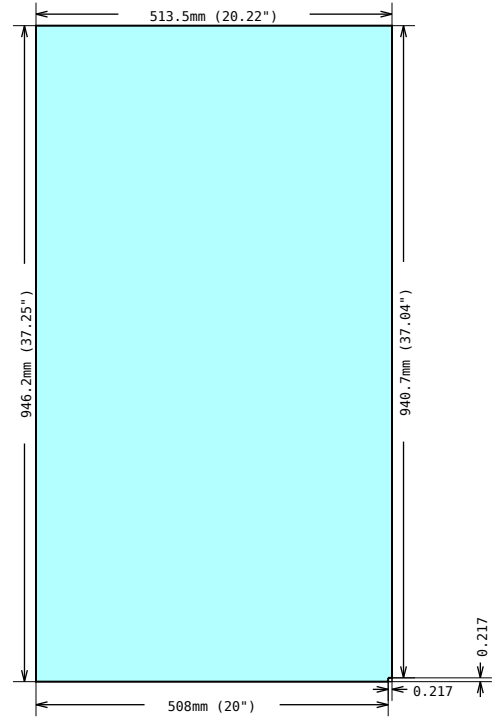


**DRAWING 4, Pos 26**  
Shape measurements

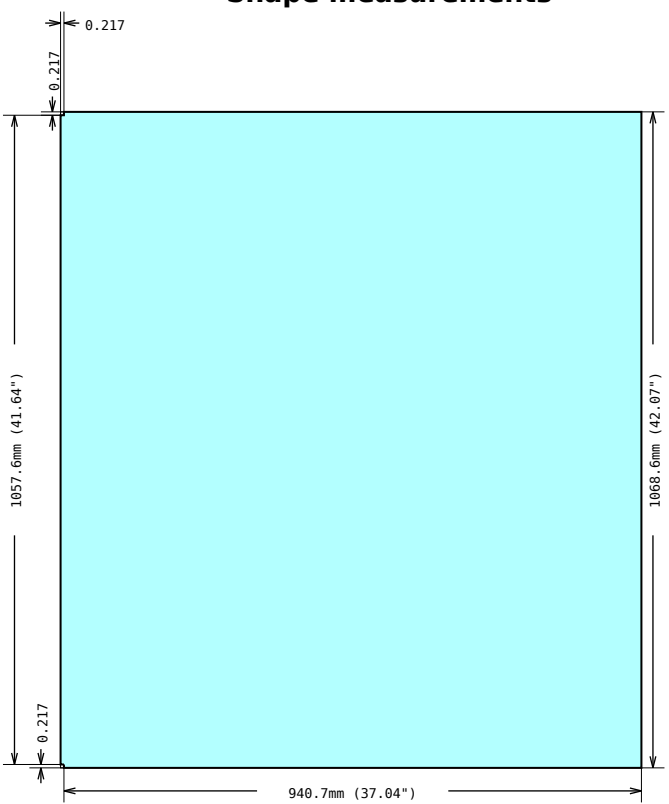
# Panels



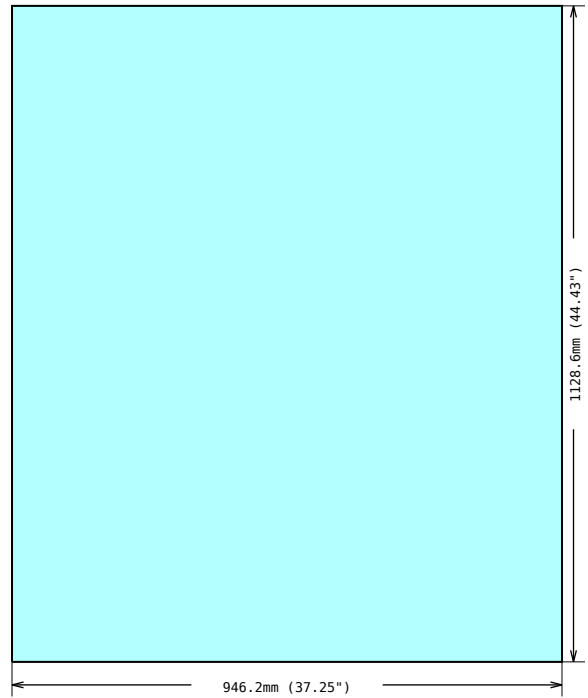
**DRAWING 5, Pos 27**  
Shape measurements



**DRAWING 6, Pos 28**  
Shape measurements



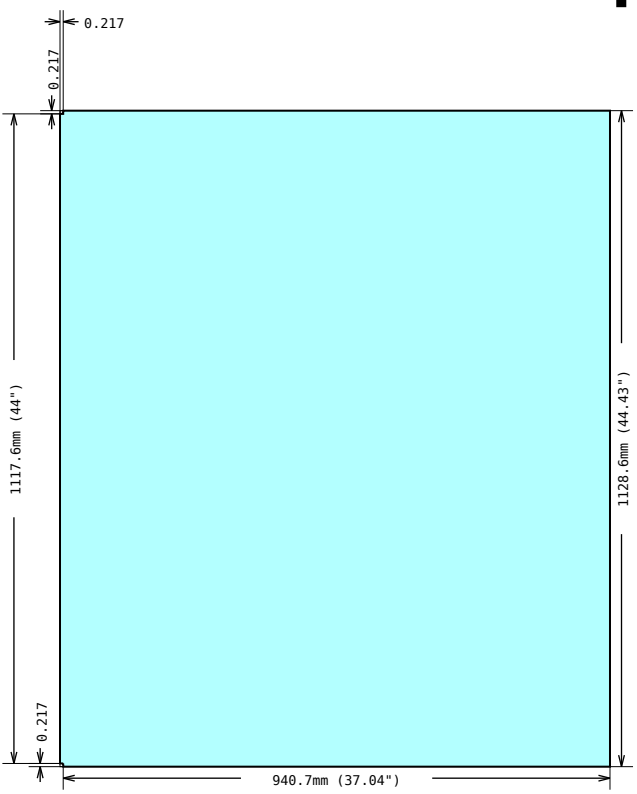
**DRAWING 7, Pos 29**  
Shape measurements



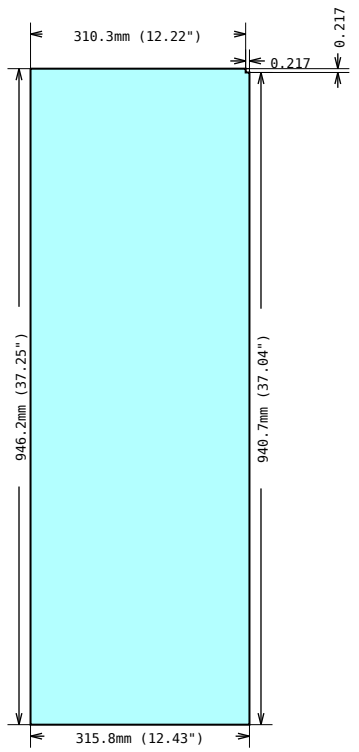
**DRAWING 8, Pos 30**  
Shape measurements



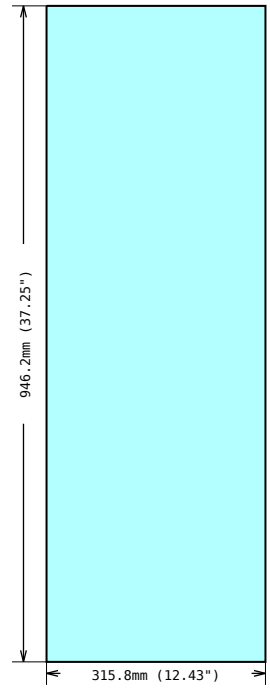
# Panels



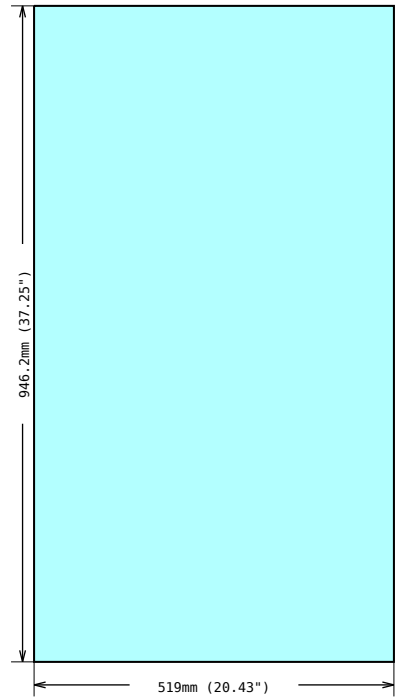
**DRAWING 9, Pos 31**  
 Shape measurements



**DRAWING 10, Pos 32**  
 Shape measurements

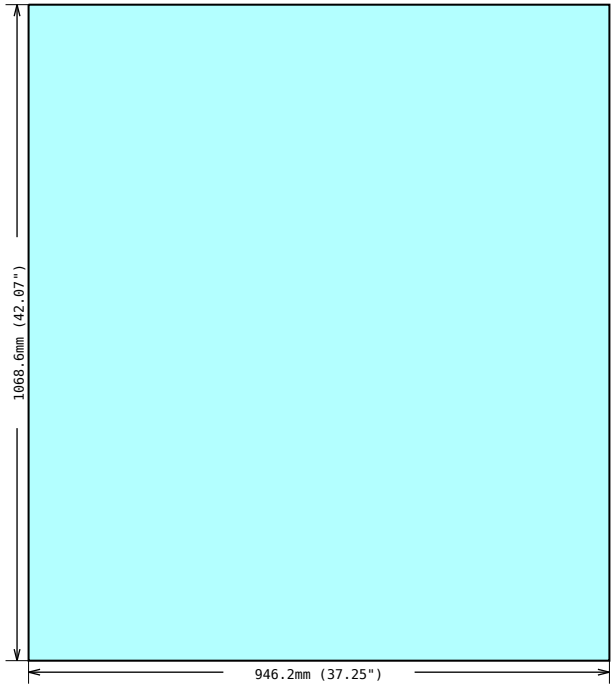


**DRAWING 11, Pos 33**  
 Shape measurements

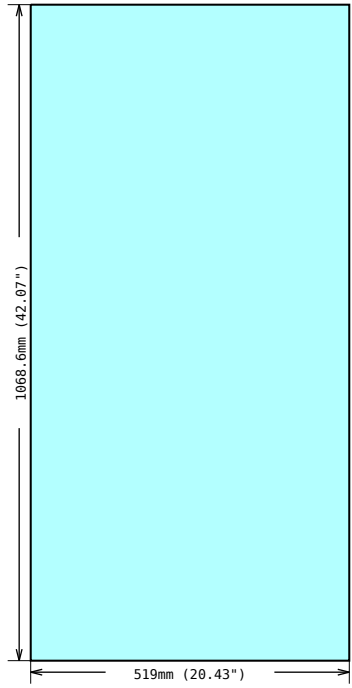


**DRAWING 12, Pos 34**  
 Shape measurements

# Panels

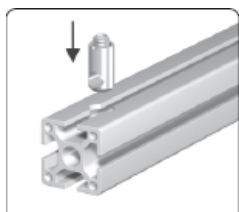
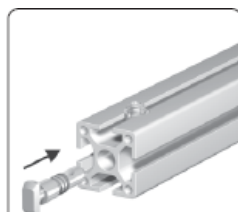
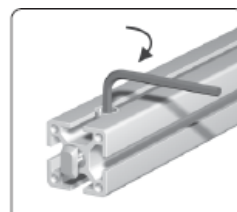
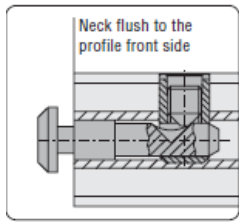


**DRAWING 13, Pos 35**  
**Shape measurements**



**DRAWING 14, Pos 36**  
**Shape measurements**

## Assembly hints

All types of connectors	1.21.3F0	Connector, universal	
<div style="display: flex; justify-content: space-around;"> <div style="text-align: center;">  <p>Insert the cross bushing</p> </div> <div style="text-align: center;">  <p>Push in the anchor</p> </div> <div style="text-align: center;">  <p>Pretension the anchor</p> </div> </div> <div style="margin-top: 10px;">  <p>Neck flush to the profile front side</p> </div> <div style="margin-top: 10px;"> <p><b>Comments</b></p> <p>For the optimal assembly of the profiles the connector is to be installed in such a way that the neck is flush to the profile front side</p> </div>			<p>Most MayTec connectors follow these assembly steps</p>