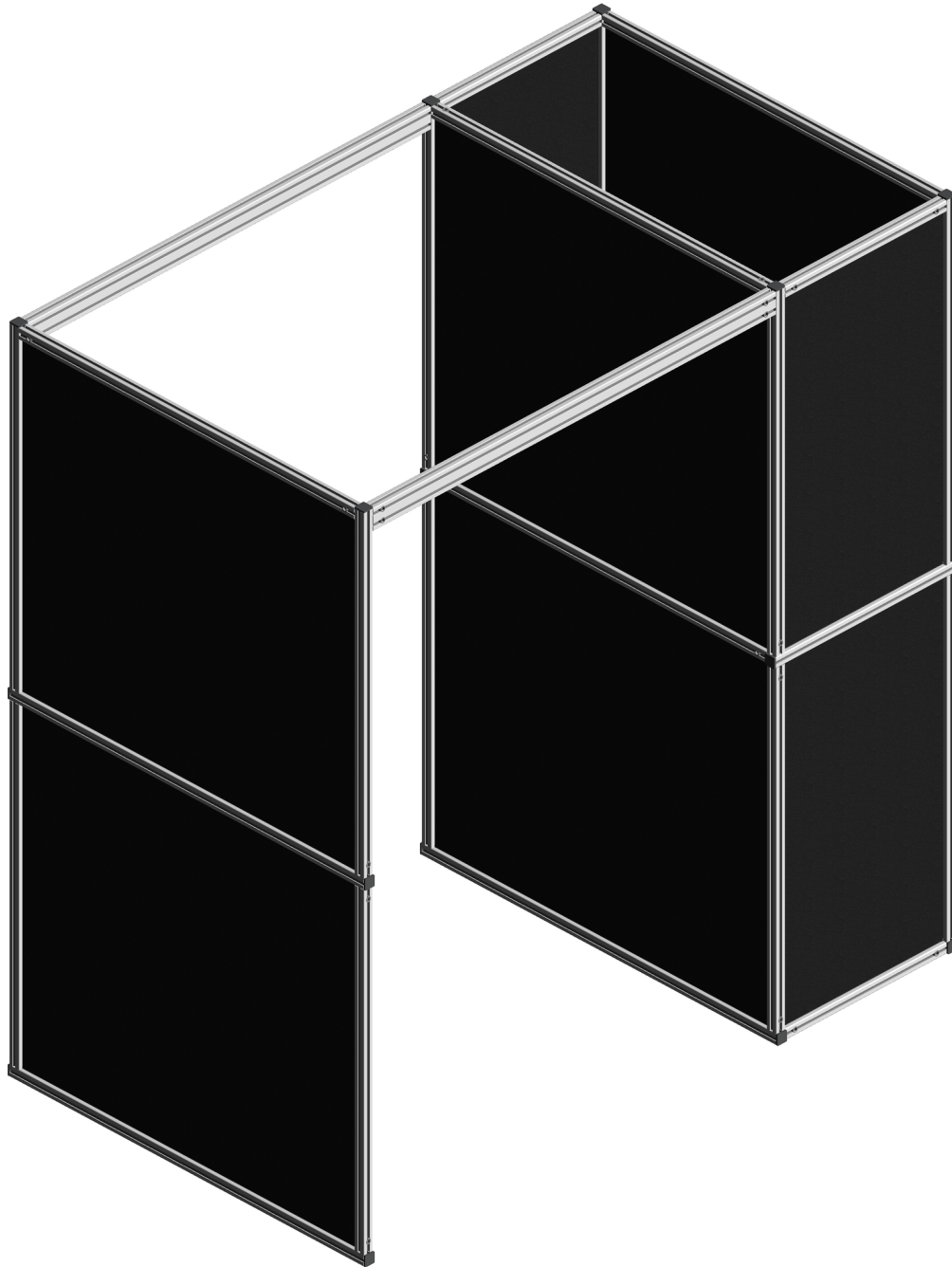


Design Title : Model 17 with 3/16 (4.5mm) ABS Haircell panels  
Designer : FrameXpert  
Company : FrameXpert  
Address : 555 Legget Drive Tower A, Suite 101 Ottawa, ON, Canada K2K 2X3  
E-Mail : support@framexpert.com  
Phone : 1 (888) 520-7589  
Date : 9/21/2011

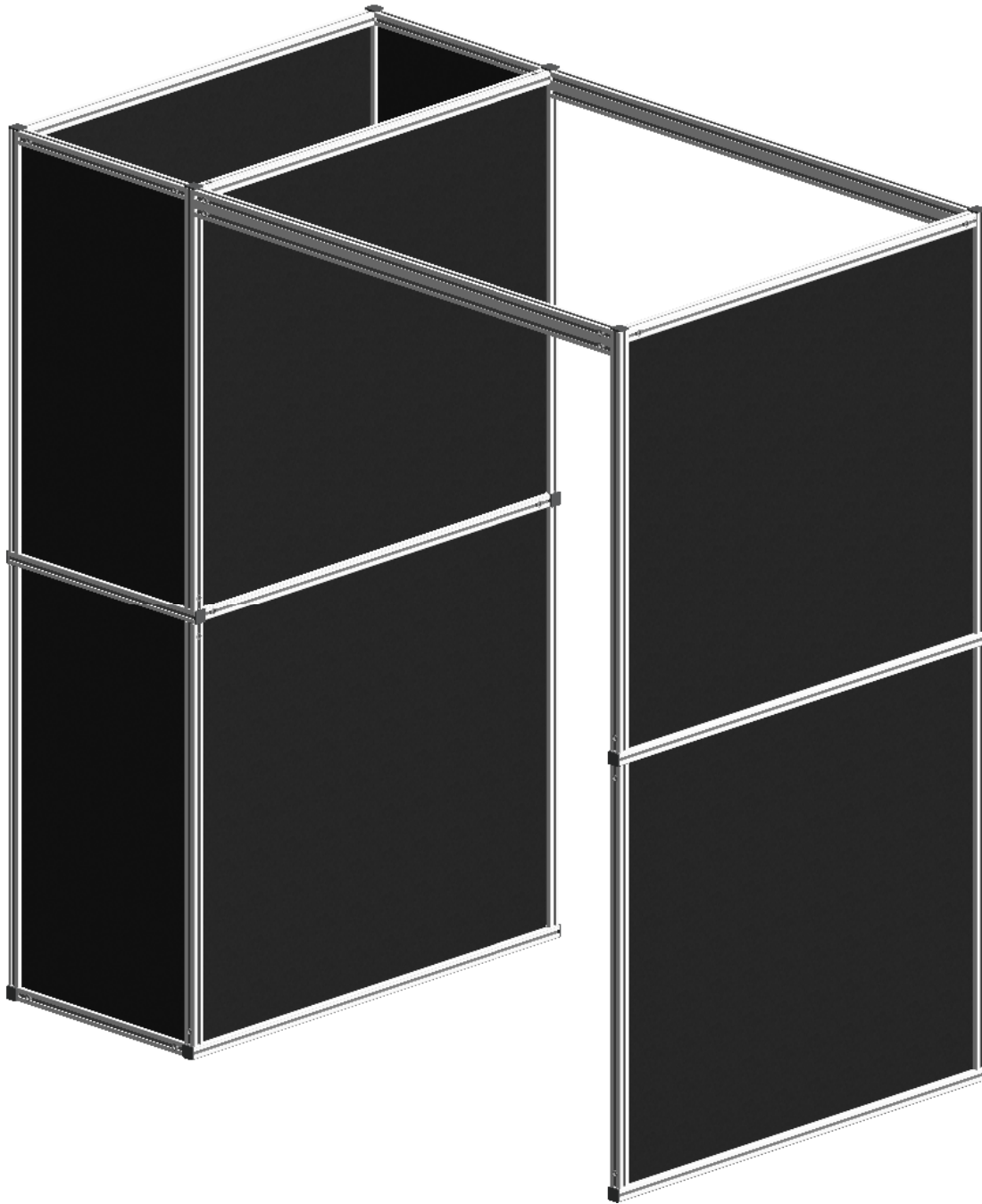


# Bill of Materials

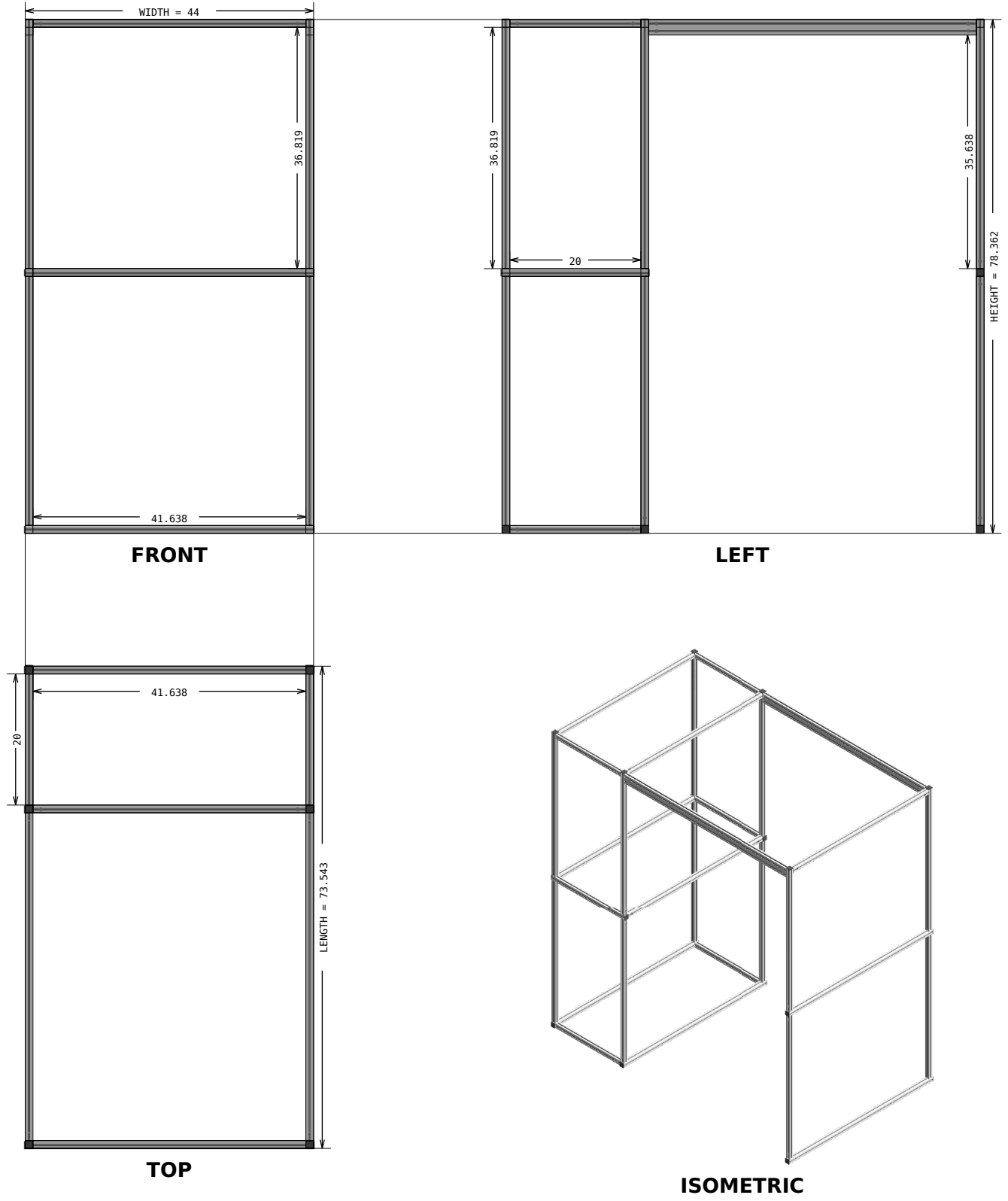
Pos	Article-No	Description	Unit	Quantity	Price/Unit	Price
1	1.11.030030.43LP-AA2AA1/965.2	Profile 30x30, 4F, light, plain	MM	1	\$16.39	\$16.39
2	1.11.030030.43LP-A00A00/568	Profile 30x30, 4F, light, plain	MM	2	\$8.11	\$16.23
3	1.11.030030.43LP-AA2AA2/508	Profile 30x30, 4F, light, plain	MM	4	\$11.47	\$45.87
4	1.11.030030.43LP-A00A00/1117.6	Profile 30x30, 4F, light, plain	MM	4	\$14.03	\$56.11
5	1.11.030030.43LP-AA3AA3/965.2	Profile 30x30, 4F, light, plain	MM	5	\$16.39	\$81.94
6	1.11.030030.43LP-AA4AA4/1057.6	Profile 30x30, 4F, light, plain	MM	5	\$17.38	\$86.91
7	1.11.030030.43LP-AA2A00/965.2	Profile 30x30, 4F, light, plain	MM	6	\$14.39	\$86.33
8	1.11.030060.64LP-FB4FB4/1270	Profile 30x60, 6F, light, plain	MM	2	\$36.56	\$73.13
9	2.ABS.0177.00	ABS Haircell textured 4.5mm, SIZE: 37.25IN x 42.07IN, ***PER DRAWING 1***;	SM	1	\$84.04	\$84.04
10	2.ABS.0177.00	ABS Haircell textured 4.5mm, SIZE: 38.43IN x 42.07IN, ***PER DRAWING 2***;	SM	1	\$84.04	\$84.04
11	2.ABS.0177.00	ABS Haircell textured 4.5mm, SIZE: 20.43IN x 38.43IN, ***PER DRAWING 3***;	SM	2	\$47.16	\$94.33
12	2.ABS.0177.00	ABS Haircell textured 4.5mm, SIZE: 20.43IN x 37.25IN, ***PER DRAWING 4***;	SM	2	\$47.16	\$94.33
13	2.ABS.0177.00	ABS Haircell textured 4.5mm, SIZE: 38.43IN x 42.07IN, ***PER DRAWING 5***;	SM	2	\$84.04	\$168.07
14	2.ABS.0177.00	ABS Haircell textured 4.5mm, SIZE: 37.25IN x 42.07IN, ***PER DRAWING 6***;	SM	2	\$84.04	\$168.07
15	1.42.20303.2	Cover cap 30x30, black	EA	18	\$0.96	\$17.20
16	1.21.3F0	Connector, universal	EA	44	\$2.86	\$125.66
Scrap charge						\$31.49

Total Weight: 65.32 kg (144.01 lbs)      Total Price: \$ 1330.13

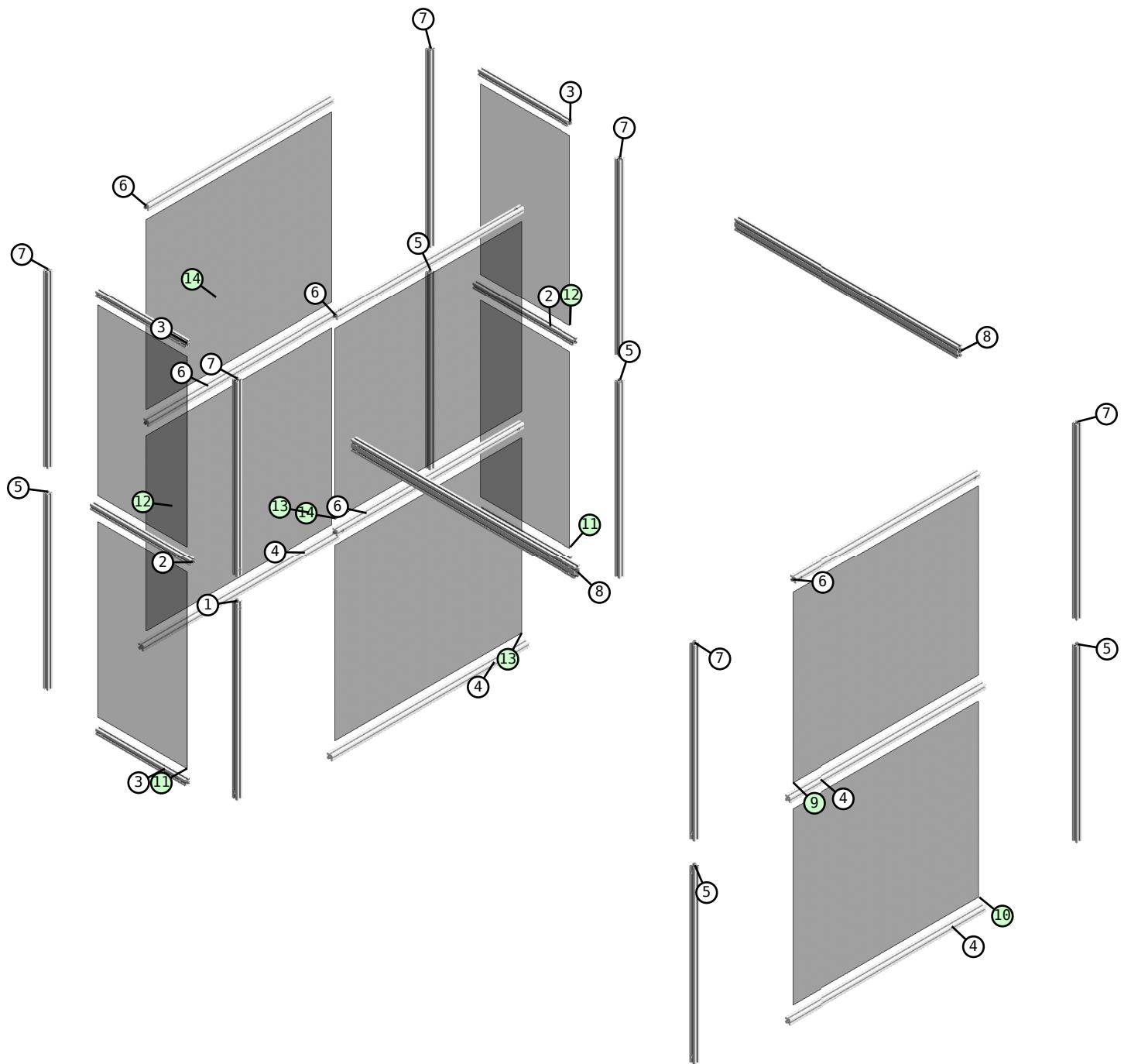
## Isometric View



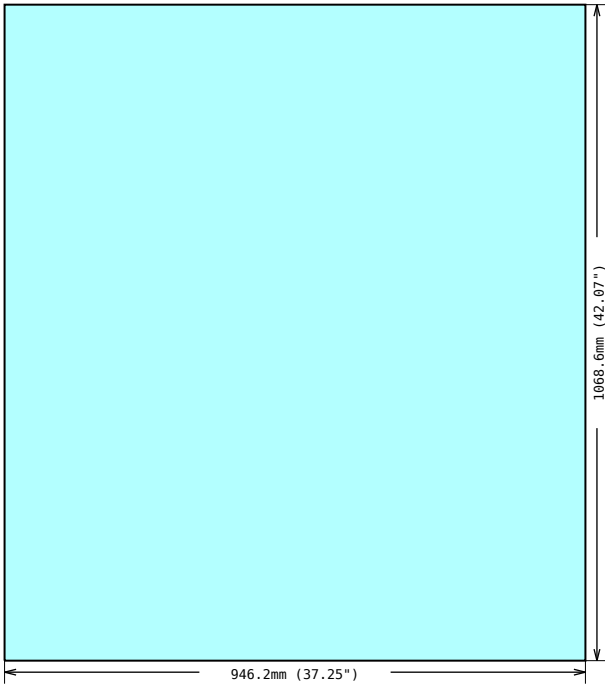
# Multiview



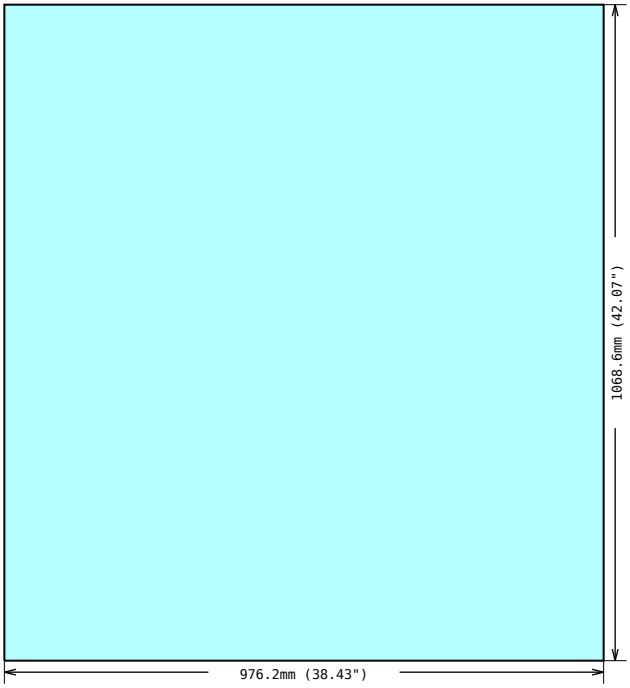
# Exploded View



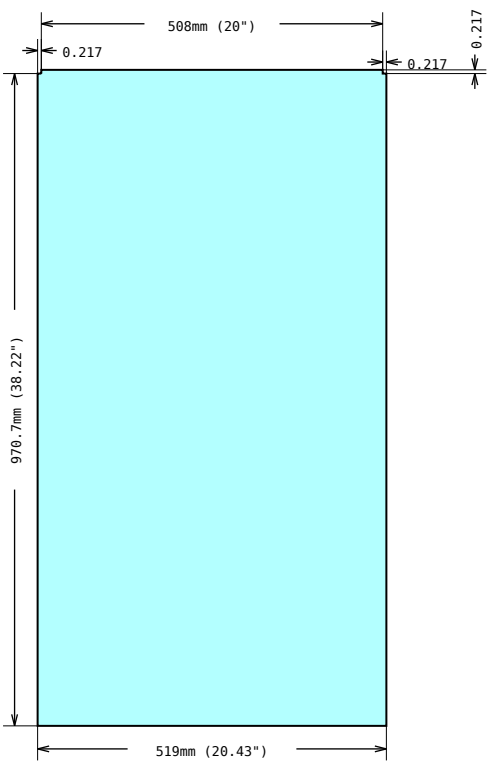
# Panels



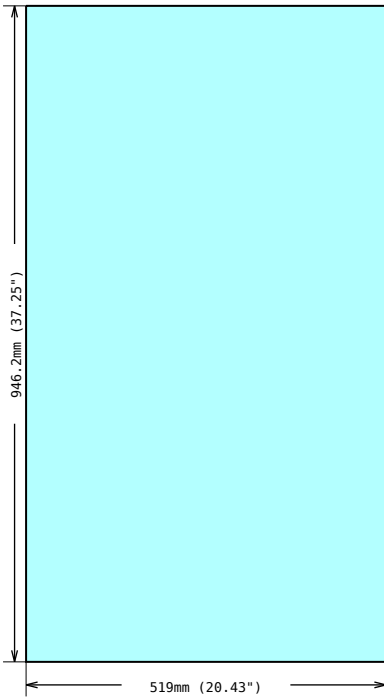
**DRAWING 1, Pos 9**  
Shape measurements



**DRAWING 2, Pos 10**  
Shape measurements

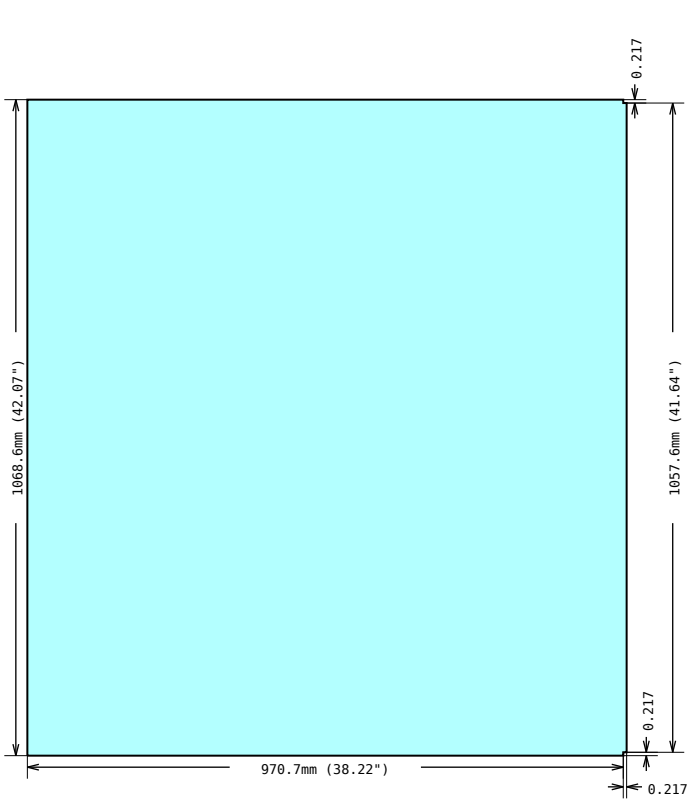


**DRAWING 3, Pos 11**  
Shape measurements

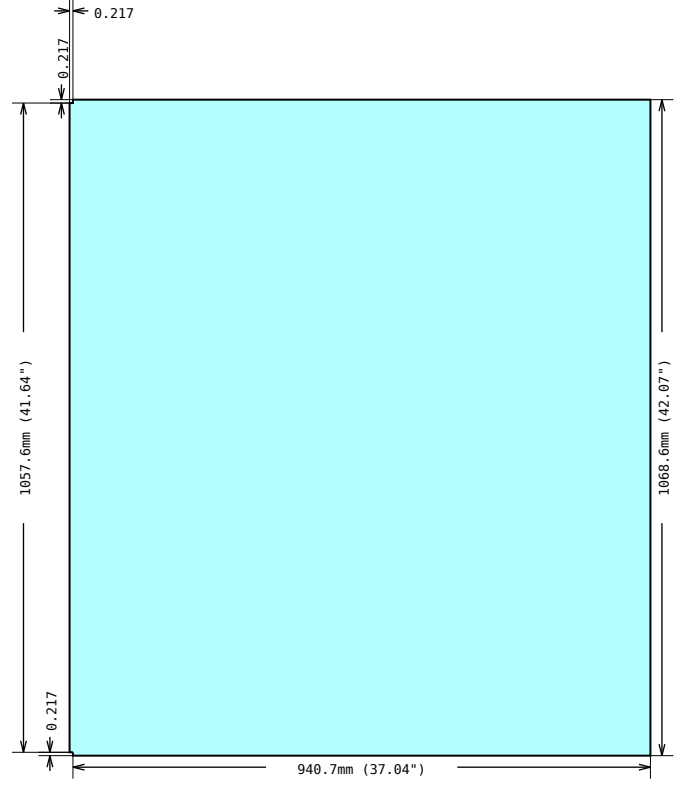


**DRAWING 4, Pos 12**  
Shape measurements

# Panels

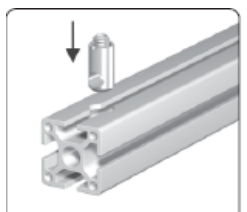
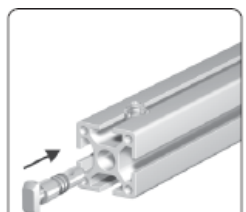
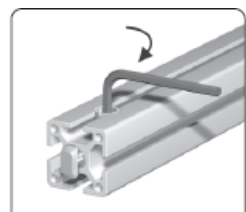
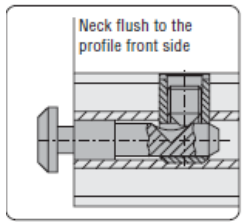


**DRAWING 5, Pos 13**  
Shape measurements



**DRAWING 6, Pos 14**  
Shape measurements

# Assembly Hints

All types of connectors	1.21.3F0	Connector, universal	
<div style="display: flex; justify-content: space-around;"> <div style="text-align: center;">  <p>Insert the cross bushing</p> </div> <div style="text-align: center;">  <p>Push in the anchor</p> </div> <div style="text-align: center;">  <p>Pretension the anchor</p> </div> </div> <div style="margin-top: 10px;">  <p>Neck flush to the profile front side</p> </div> <div style="margin-top: 10px;"> <p><b>Comments</b></p> <p>For the optimal assembly of the profiles the connector is to be installed in such a way that the neck is flush to the profile front side</p> </div>			<p>Most MayTec connectors follow these assembly steps</p>